

Solar Electric Powered Hybrid Vehicle

Dr. C. S Patil (Author)
 Shri. Gulabrao Deokar College of Engineering,
 North Maharashtra University,
 Jalgaon-India

Prajakta Vilas Sonawane (Author)
 Shri. Gulabrao Deokar College of Engineering,
 North Maharashtra University,
 Jalgaon-India

Abstract:- This paper gives you a basic overview about designing and implementing the process of solar electric vehicle. The power obtained from the Photovoltaic (PV) system keeps on changing with solar radiation and ambient temperature because of the nonlinear voltage current characteristic, exhibited by the PV system. However, with the advancement in technology, it is now possible to obtain maximum power from the PV cell and thus overall efficiency can be improved. This hybrid power generation system is a simple and cost-effective control, and maximum power point tracking (MPPT) control has to extract more power. Also, this hybrid system is developed through an experimental model.

This paper the study on charging using constant voltage (CV) method. This method has a function of determining output voltage of the PV system on maximal condition, so PV system will always produce a maximal energy. A model represented a PV system with and without MPPT. PV system showed a different outcome energy.

Keywords:- Solar Panel, Batteries, Electric System, MPPT.

I. INTRODUCTION

Solar cars depend on PV cells to convert sunlight into electricity to drive electric motors. Unlike solar thermal energy which converts solar energy to heat, PV cells directly convert sunlight into electricity. The design of a solar car is severely limited by the amount of energy input into the car. Photovoltaic (PV) system is one of renewable energy

application. The electrical energy production of PV system depends on the weather, because the output energy of PV system depends on variation of solar radiation when the weather change. The large amount of solar radiation increases the output power of PV system, and vice versa. Because of that condition, the amount of consumption power may be larger than the amount of output power. PV system will not always produce maximum power even the solar radiation is on the maximum condition. Therefore, PV system needs another system to improve the efficiency by maximize the output power using a maximum power point tracking (MPPT) method.

II. THEORY

A. MPPT System

MPPT or Maximum Power Point Tracking is algorithm that included in charge controllers used for extracting maximum available power from PV module under certain conditions. The voltage at which PV module can produce maximum power is called maximum power point (or peak power voltage). Maximum power varies with solar radiation, ambient temperature and solar cell temperature.

A MPPT solar charge controller is the charge controller embedded with MPPT algorithm to maximize the amount of current going into the battery from PV module.

MPPT is DC to DC converter which operates by taking DC input from PV module, changing it to AC and converting it back to a different DC voltage and current to exactly match the PV module to the battery.

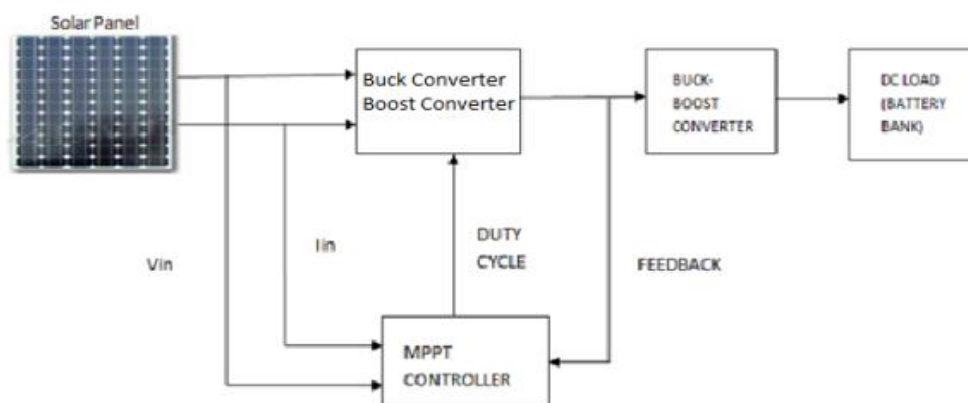


Fig 1:- MPPT System Diagram

Constant voltage method was applied on the MPPT algorithm to produce maximum power of PV system. CV method was used to determine the output voltage of PV system on the maximum condition. Thus, it was expected that system produced the maximum output power.

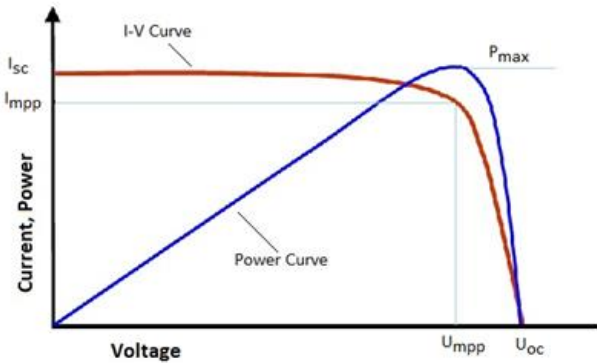


Fig 2:- I-V Diagram

B. Proposed of System

Solar energy is one of renewable energy resource where needs a photovoltaic module to convert it into electrical energy. One of the problems on solar energy conversion is the process of battery charging. To improve efficiency of energy conversion, PV system needs another control method on battery charging called maximum power point tracking (MPPT). The power obtained from the Photovoltaic (PV) system keeps on changing with solar radiation and ambient temperature because of the nonlinear voltage current characteristic, exhibited by the PV system. However, with the advancement in technology, it is now possible to obtain maximum power from the PV cell and thus overall efficiency can be improved. This hybrid power generation system is a simple and cost-effective control, and maximum power point tracking (MPPT) control has to extract more power.

III. WORKING PRINCIPLE

When the sunlight falls on the PV panels, these panel convert the solar energy from sunlight to electric dc current. This dc current is used to charge the batteries of the system. In this system used two microcontroller ATMEGA328 (8-bit microcontroller) and ESP12E (32 nit microcontroller with embedded Wi-Fi). this two-microcontroller run on 5v and 3.3.v power supply resp.9v battery issued for both micro controllers ,16x2 LCD display DTH11(temperature and humidity sensor) LDR, dust sensor, current sensor, voltage sensor. All this peripheral along with microcontroller used power supply form 9v battery .12v battery is used for charging form solar panel via MPPT buck and boost converter which are connected by ATMEGA328 microcontroller. Main controller which is ATMEGA328 is handling all peripherals and MPPT system, ESP82 Wi-Fi microcontroller is used to communicate with google firebase (cloud).

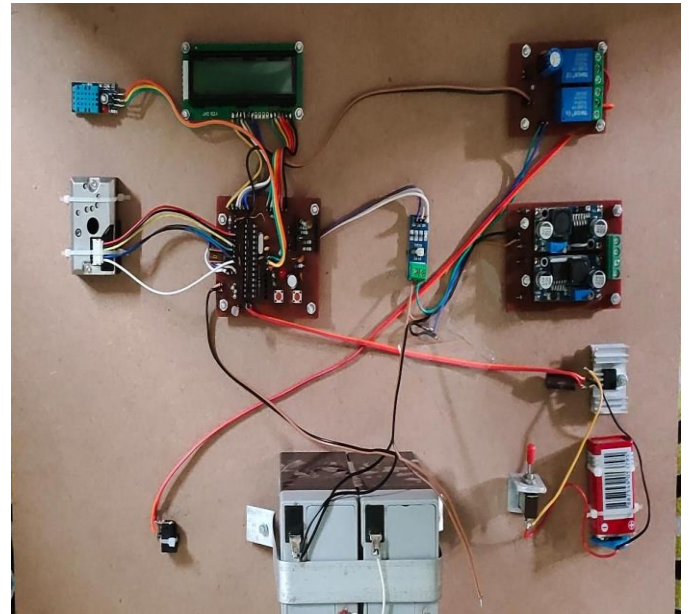


Fig 3:- Block Diagram

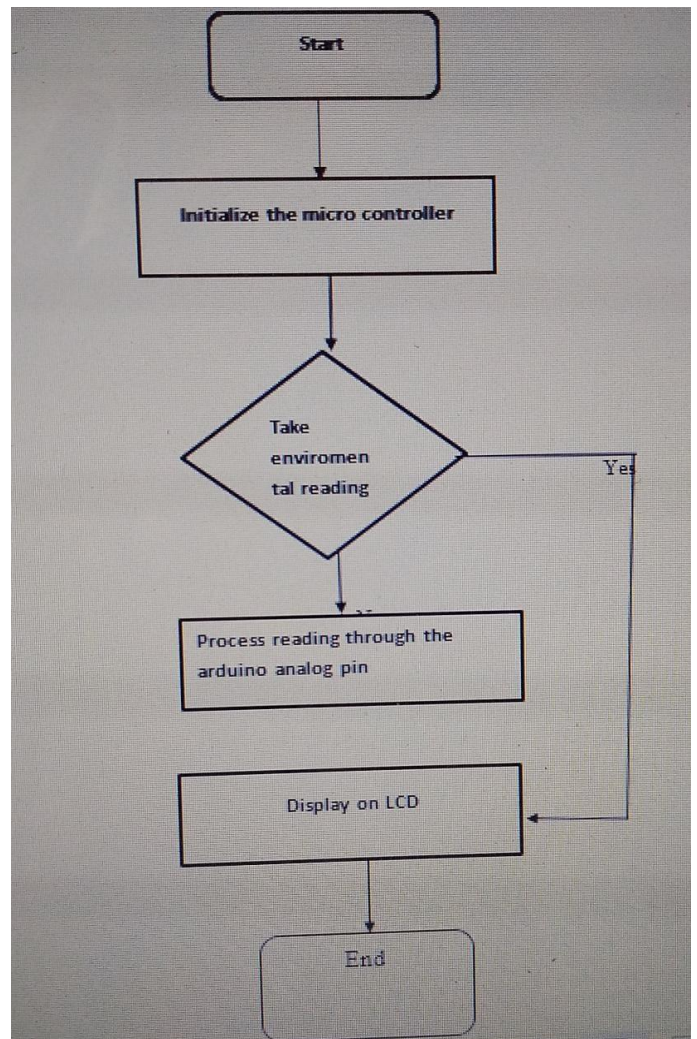


Fig 4:- flow chart

IV. CONCLUSION

It is essential that the design of solar cars are efficient, safe and takes into account the specific requirements and limitations. For example, in order for the solar car to run on solar power it needs a lot of power and an optimum angle needs to be decided to maximize this power output. It is best to use a MPPT to maximize the current going into the battery and to choose an efficient solar array or panel. This being said, the solar car can have a significant impact on the reduction of unhealthy greenhouse gas emissions and help prevent global warming. We need to make use of solar powered cars so that we can reduce our dependence on fossil fuels. Maximum Power Point Tracking is one of the effective ways of obtaining maximum power from the DC source with high efficiency. In this paper, P&O algorithm is used because of its fast switching and high reliability property. We can obtain the constant voltage during changing irradiance and environmental conditions from the PV system. If we use this technique for low voltage DC transmission, then we can reduce the losses obtained in AC transmission, due to corona effect, high voltage surges, etc. Because of the less insulation in DC, we can save cost and it is one of the environmentally friendly ways of power generation and transmission

REFERENCES

- [1]. Attia, H., Mohsen, M., Qadoor, B., Al Shamsi, M., Abdulsalam, O., Rahman, Z., "NEW Design and Implementation of a Solar Car" of the American University of Ras Al Khaimah: Electrical Vision, J. sustain. dev. Energy water environ. syst., 8(3), pp 452-463, 2020.
- [2]. M. Babescu, C. Sorandaru, S. Musuroi, M. Svoboda*and N.V. Olarescu, "An Approach on Mathematical Modelling of Photovoltaic Solar Panels", 8th IEEE International Symposium on Applied Computational Intelligence and Informatics • May 23–25, 2019.
- [3]. Yoshihiro G. et. al., 2007."Integrated management and remote monitoring system for telecommunications power plants with fully DC-powered center equipment."INTELEC 07-29th International Telecommunications Energy Conference.IEEE, 2007.
- [4]. Alexander S. and Galkin I., 2013. "Case study on using non-intrusive load monitoring system with renewable energy sources in intelligent grid applications." International Conference Workshop And Power Electronic
- [5]. Mayamiko N., Zennaro M. and Bagula A., 2011. "SM 2: Solar monitoring system in Malawi." Kaleidoscope: The Fully Networked Human?-Innovations for Future Networks and Services (K-2011), Proceedings of ITU. IEEE, 2011.
- [6]. D. Goossens and E. V. Kerschaever, "Aeolian dust deposition on photovoltaic solar cells: the effects of wind velocity and airborne dust concentration on cell performance," Solar Energy, vol. 66, pp. 277-289, 1999.World