

Multi Salt and Pepper Bottle Design

Shubham Arora
 Student Mechanical
 Department

Graphic Era Hill University, Dehradun

DR.Chandra Kishore
 Associate Professor Mechanical
 Department
 Graphic Era University, Dehradun

Rohit Pandey
 Assistant Professor Mechanical
 Department Graphic Era Hill
 University, Dehradun.

Abstract:- This paper purpose to show the new design of salt bottle .This design of bottle increase the comfort level of customer and save their time and efforts. This design of bottle is a combination of 2 bottles means you can pour 2 differently material in a single bottle. The main goal of this paper is to fulfill the requirement of customer and reduce their efforts time, money.

I. INTRODUCTION

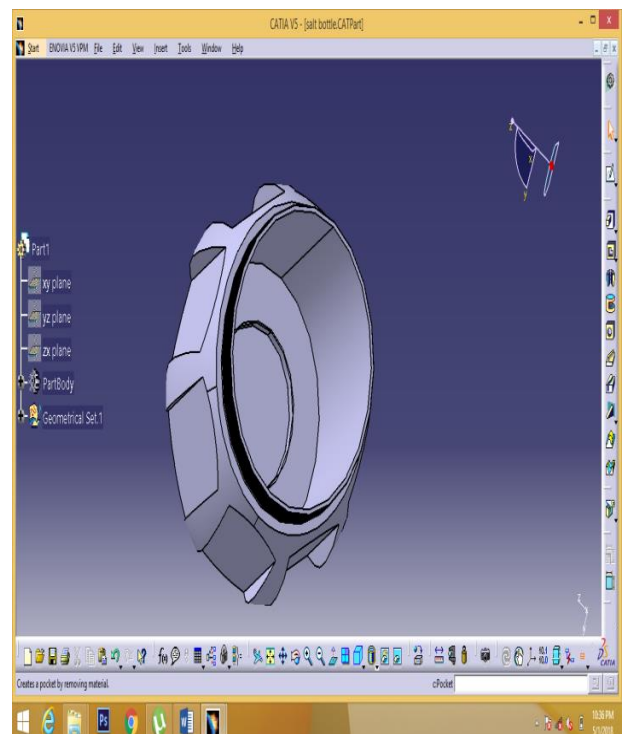
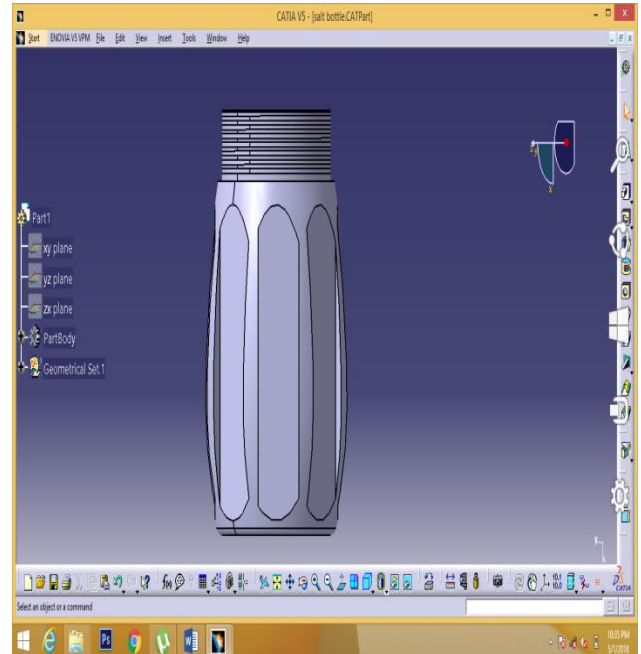
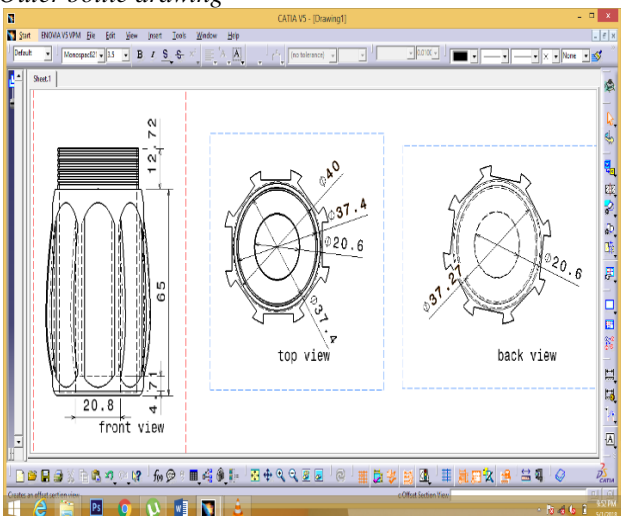
The importance of this design is it is more comfort than the salt and black pepper bottle which we are generally seen in hotels, canteens and home. The reason why customer wants this design of bottle because it have attractive concept (two materials fill differently) easy to operate or handle, beautiful design .This bottle have total 5 parts assembly .There are 2 bottles 1 is outer bottle and another is inner bottle we can fix the inner bottle inside the outerbottle Open and close system of this two bottle is based on the cap of bottle .Bottle cap is design in such a way that you can operate both material in single cap.

II. DESIGN

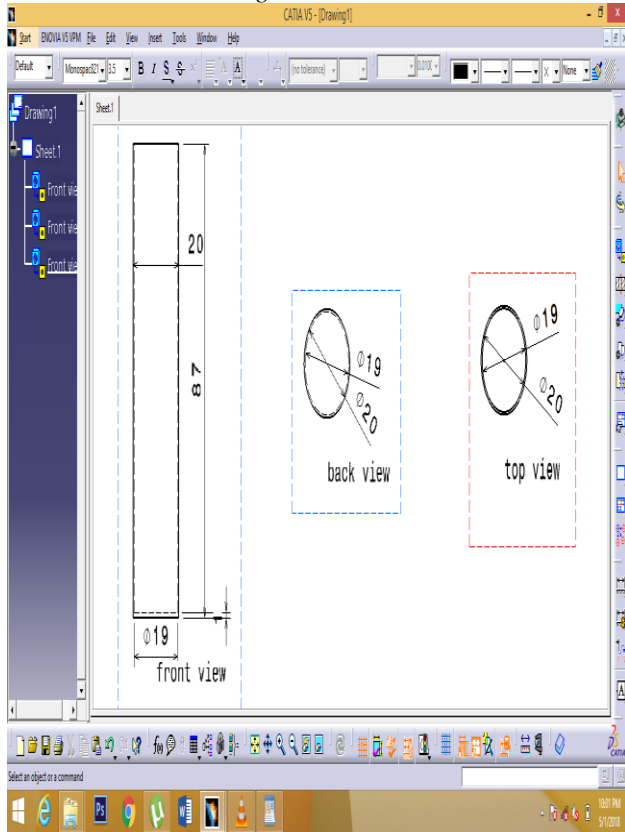
All work of 2d and 3d drawing is perform on a CAD software CATIA v5.2d drawing are perform in drafting and 3d modeling are perform in part design in CATIA software.

➤ No of parts of bottle -

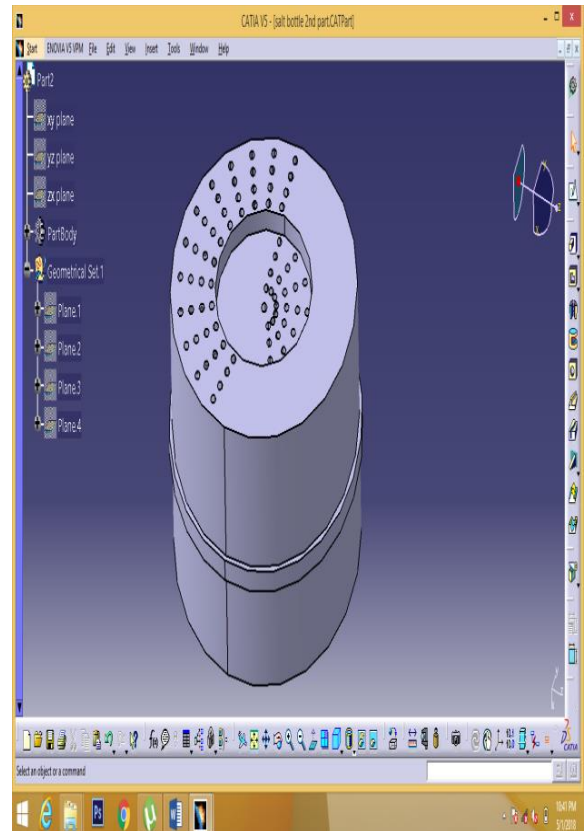
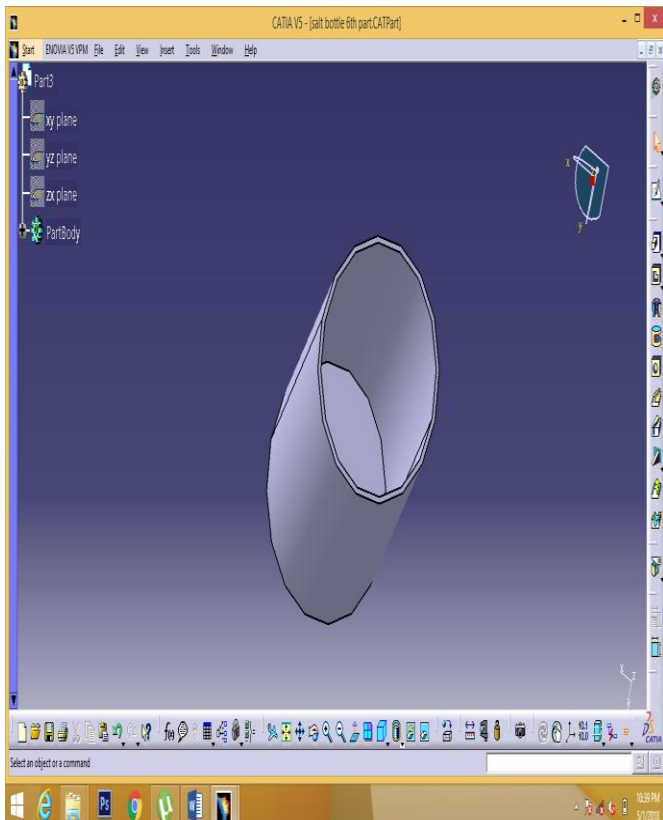
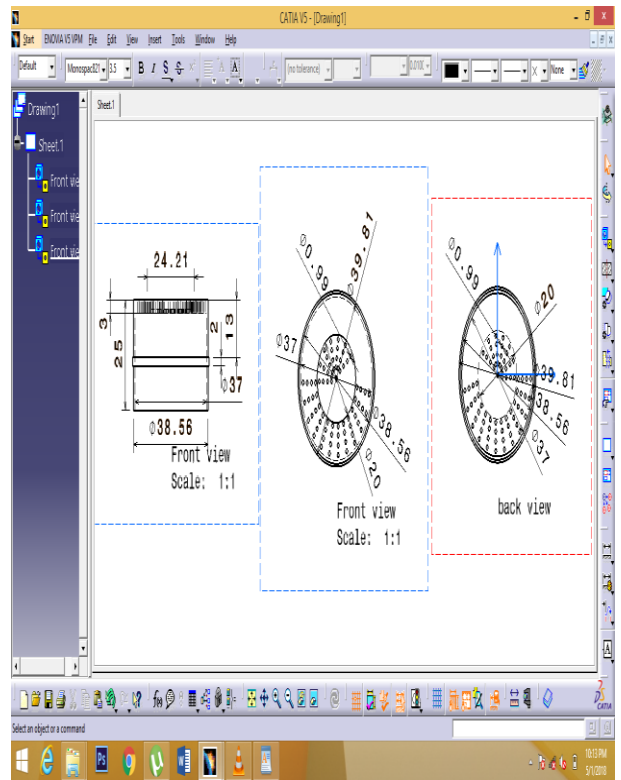
A. Outer bottle drawing

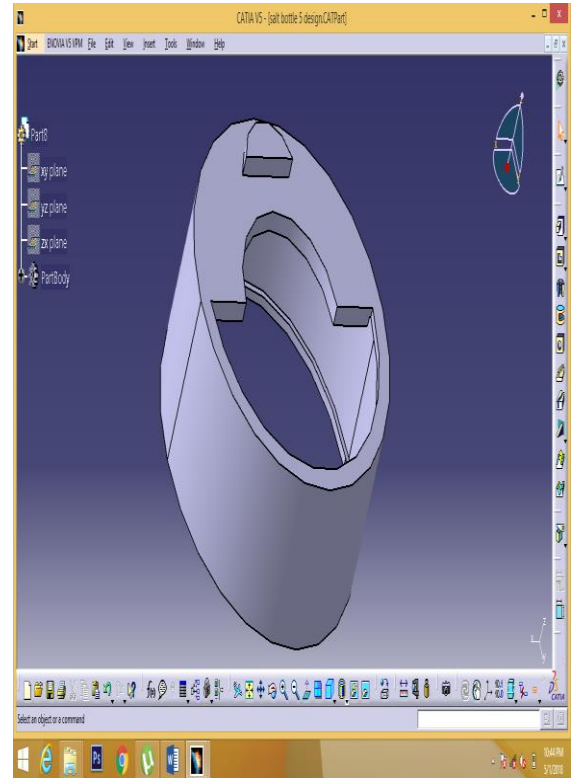
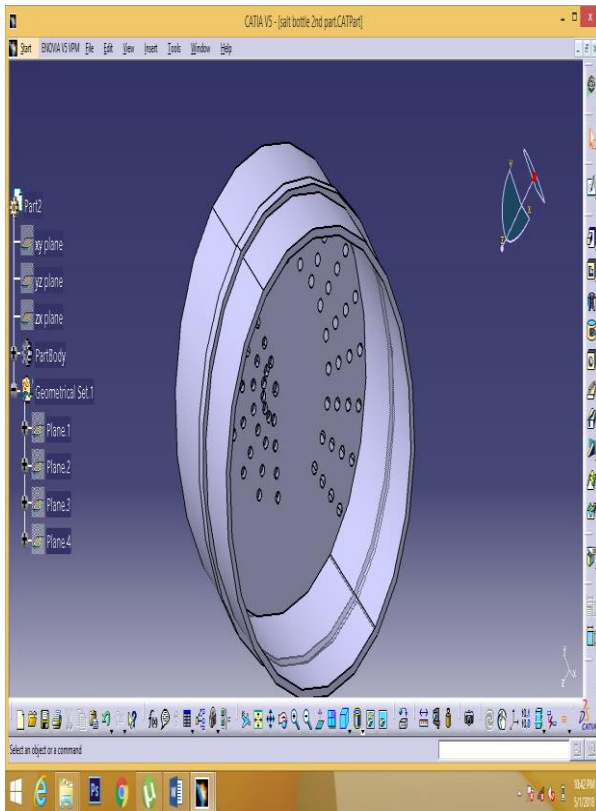


B. Inner Bottle Drawing



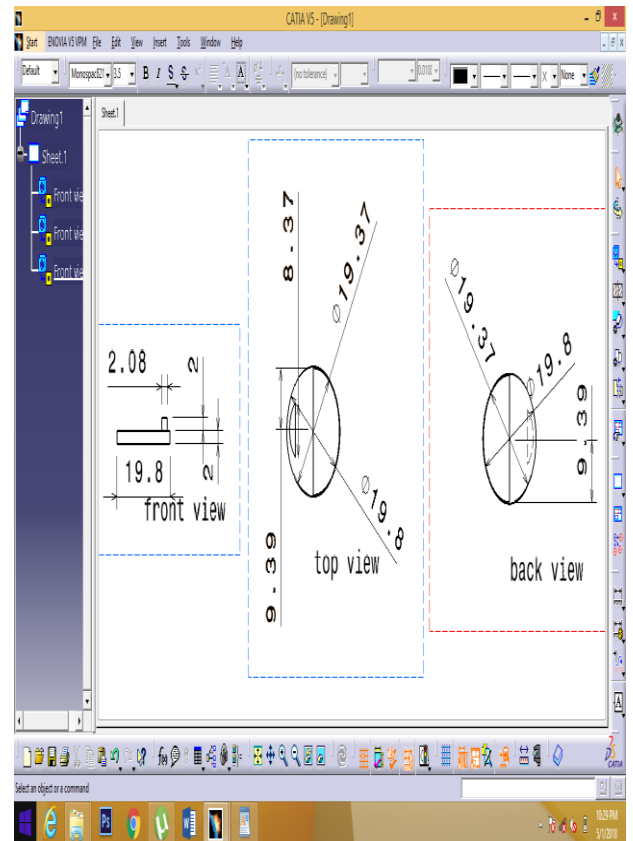
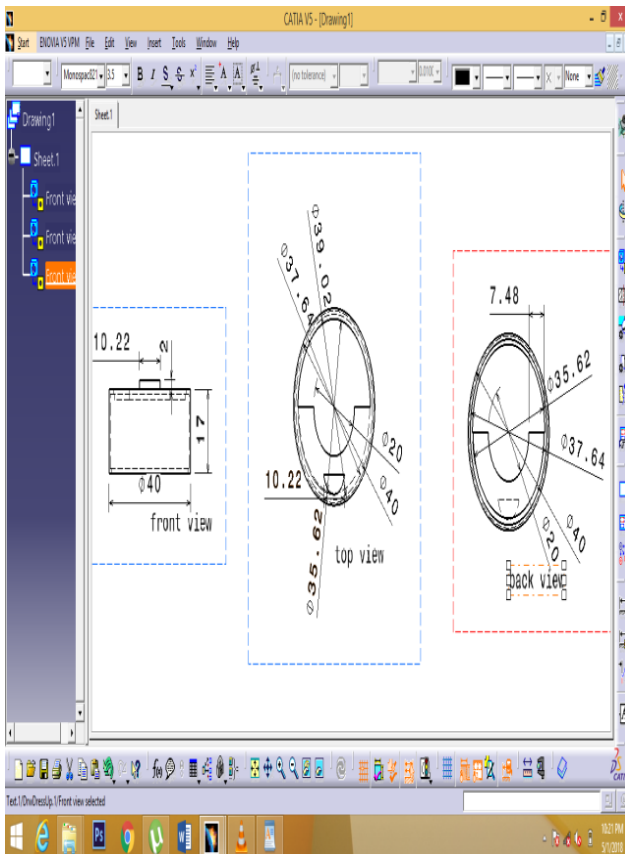
C. Cap part 1st drawing

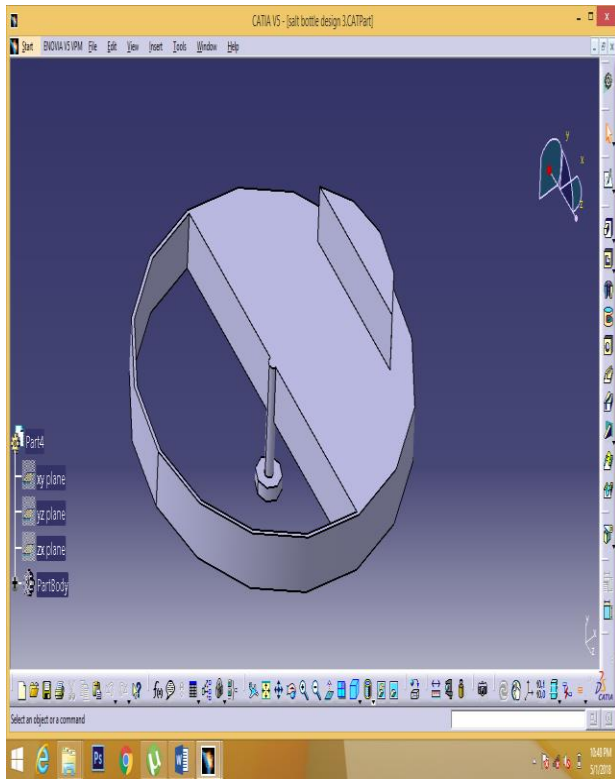




D. Bottle Cap 2nd Part Drawing

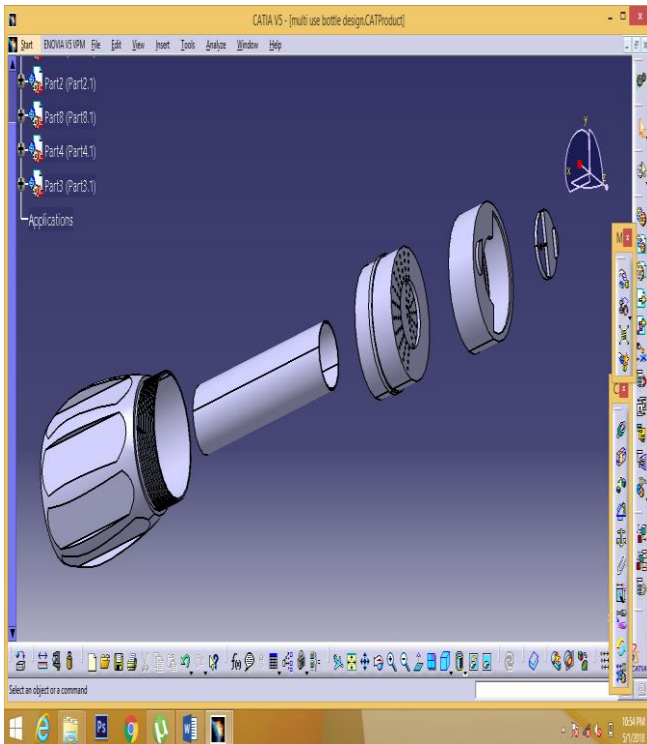
E. bottle cap 3rd part drawing



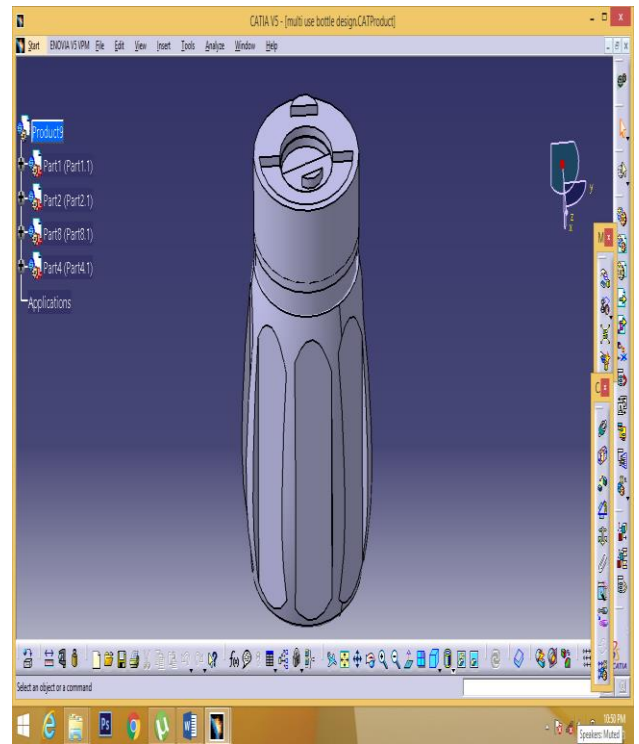


III. ASSEMBLY OF ALL PARTS

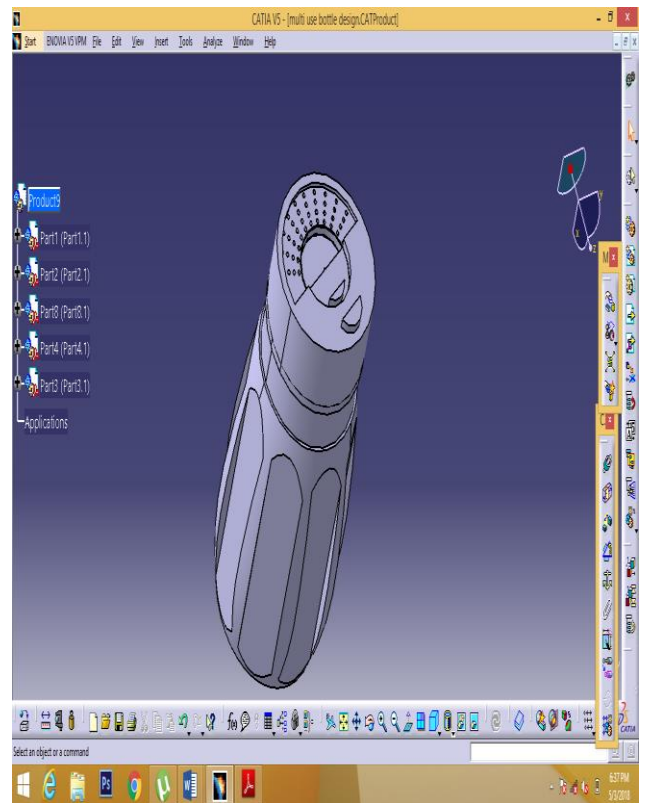
Assembly of all parts of bottle are assemble in assembly of CATIA V5 software.



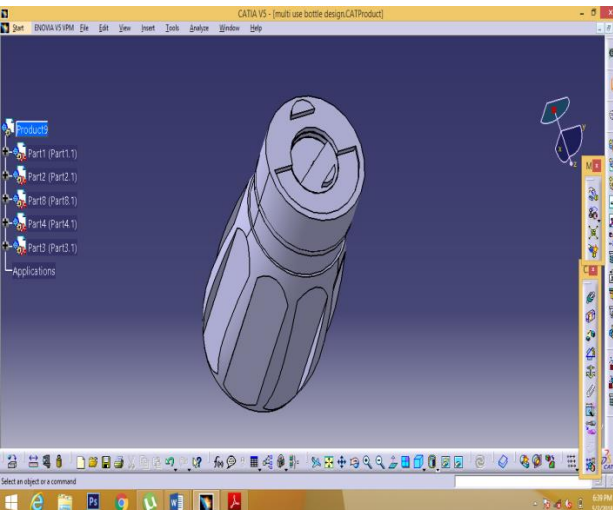
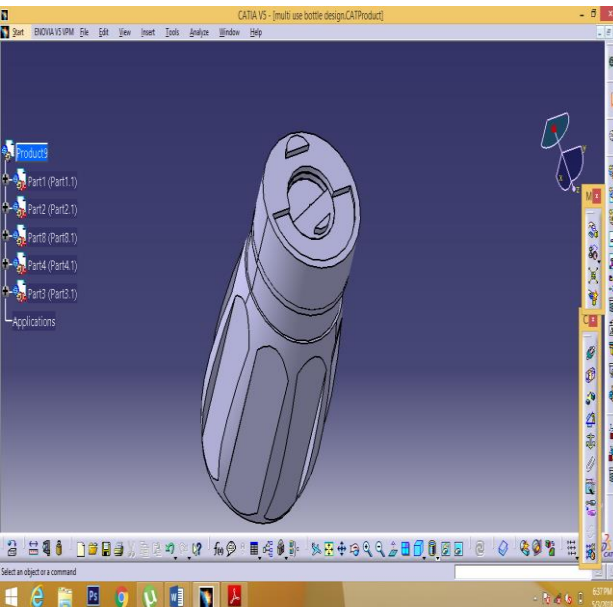
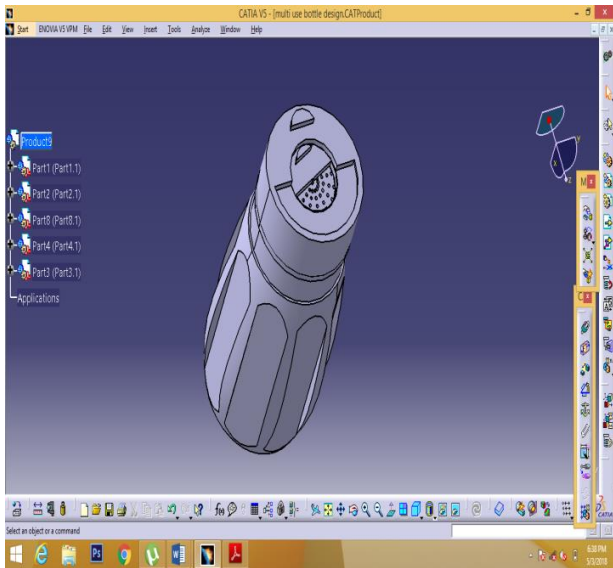
IV. FINAL PRODUCT



V. OPEN AND CLOSING SYSTEM OF BOTTLE



VI. PRACTICALLY SALT AND PEPPER BOTTLE DESIGN (WOODEN MATERIAL)



VII. MATERIAL OF BOTTLE

- Plastic
- Steel

VIII. RESULT

Assembly of all parts give a result of two product which can be used for store salt and black pepper which can be utilized in homes , hotels , canteens for ease of utilization.

IX. CONCLUSION

If this design of bottle are available on market so its demand is definitely increase due to its unique concept it reduce the customer efforts time and money.

REFERENCES

1. Design of machine element (v.bBhandari).
2. CATIA v5 software.
3. Machine data design book.